



## Refrigerators



### Features

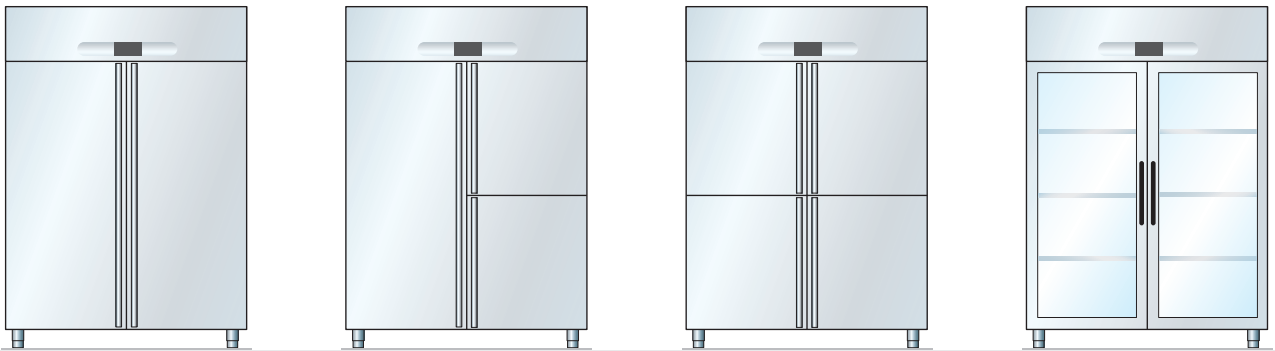
- Capacity 700/1400 litres
- Chillers and freezers
- Electronic control
- Emptying of automatic water condensation
- Automatic defrosting
- Standard outfit: 3 plastic-coated racks shelves each door
- Adjustable stainless steel feet
- Lock
- Internal light
- Visible evaporator inside the chamber
- Possibility of a single chamber with combination of single doors, 2 half doors, 3 doors
- Our range also includes a version without condensing unit, with thermostatic valve for remote installations.



# Refrigerators



External size: L x P x H cm 75 x 82 x 206,5



External size: L x P x H cm 150 x 82 x 206,5